

NAVIGATION LIGHTS

FOR USE ON VESSELS 20 METERS (65.6 Ft.) TO 50 METERS (164.0 Ft.) IN LENGTH.



FIG. 1127
RED & GREEN SIDE LIGHTS
112-1/2 DEGREES



FIG. 1128
MASTHEAD LIGHTS
225 DEGREES



FIG. 1129
STERN OR TOWING LIGHTS
135 DEGREES



FIG. 1130
ALL-ROUND LIGHTS
360 DEGREES

FEATURES

BLACK PLASTIC.

COMPLETE WITH PRE-WIRED DOUBLE CONTACT SOCKET AND 3 FEET OF 16/3-SO CABLE FOR 12, 24, 32 OR 120 VOLTS.

WATERTIGHT ACCESS CAP FOR REBULBING AND CLEANING.

BULB NOT INCLUDED.

Height Overall Inches	Height Lens Inches	Screw Size	Weight Pounds
7-1/2	4-1/2	1/4	3-1/8

IMPORTANT BULB DATA

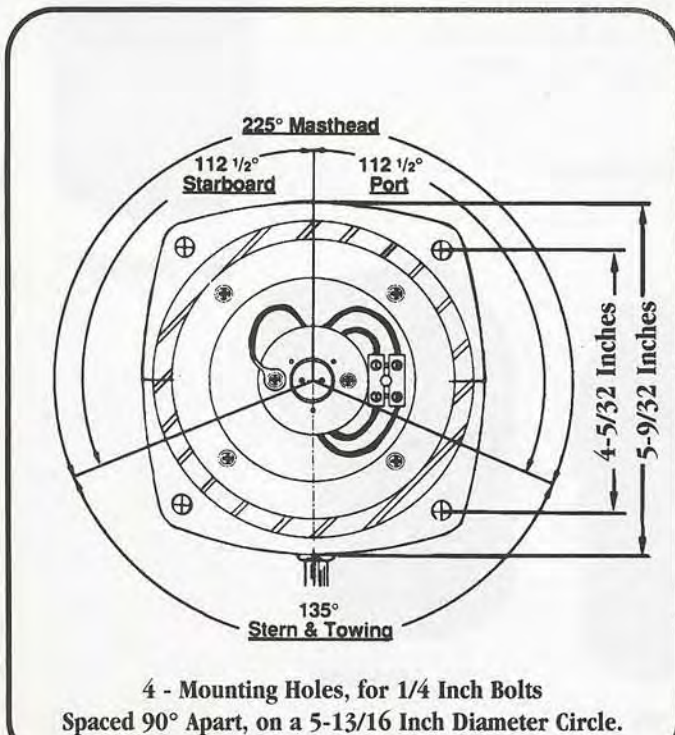
To comply with U.L. Standard 1104, the lights listed on this page must use a PERKO Cat. No. 374 bulb.

ORDERING INFORMATION

Description	Arc	Visibility Miles	Visibility Cat. No.
Red Side Light	112-1/2°	2	1127 RA0 BLK
Green Side Light	112-1/2°	2	1127 GA0 BLK
White Masthead Light	225°	5	1128 A00 BLK
White Stern Light*	135°	2	1129 A00 BLK
Yellow Towing Light	135°	2	1129 MA0 BLK
White All-Round Light*	360°	2	1130 A00 BLK
White All-Round Light**	360°	5	1130 HA0 BLK
Red All-Round Light	360°	2	1130 RA0 BLK
Green All-Round Light	360°	2	1130 GA0 BLK
Yellow All-Round Light	360°	2	1130 MA0 BLK

*These lights are supplied with a Gray Tinted Lens.

**For Great Lakes use.



SPARE PARTS ORDERING INFORMATION

- 1) Access Cap, O-Ring and Retainer, Cat. No. 1105 000 BLK.
- 2) O-Ring for Cap, Cat. No. 1119.
- 3) Lens Assembly:
Red, Cat. No. 249 000 RED.
Green, Cat. No. 249 000 GRN.
White, Cat. No. 249 000 CLR.
Gray, Cat. No. 249 000 GRY.
Yellow, Cat. No. 249 000 YLW.
- 4) Double Contact Socket, Cat. No. 134.

Required Bulbs:

- 12 Volts, Cat. No. 374 001 CLR.
- 24 Volts, Cat. No. 374 002 CLR.
- 32 Volts, Cat. No. 374 003 CLR.
- 120 Volts, Cat. No. 374 004 CLR.

