

SINGLE LENS NAVIGATION LIGHTS

FOR USE ON ANY LENGTH VESSEL OVER 20 METERS (65.6 FT.) IN LENGTH.

FEATURES

CAST BRONZE.

COMPLETE WITH A PRE-WIRED MEDIUM PREFOCUS SOCKET AND 3 FEET OF 16/3-SO CABLE THROUGH A WATERTIGHT TERMINAL TUBE. WATERTIGHT ACCESS CAP FOR REBULBING AND CLEANING.

120 VOLT BULB INCLUDED.

IMPORTANT BULB DATA

To comply with the U.L. Standard 1104, the lights listed on this page must use PERKO Cat. No. 342 004 CLR bulb or 342 RS4 CLR bulb when a "Rough Service" bulb is required.

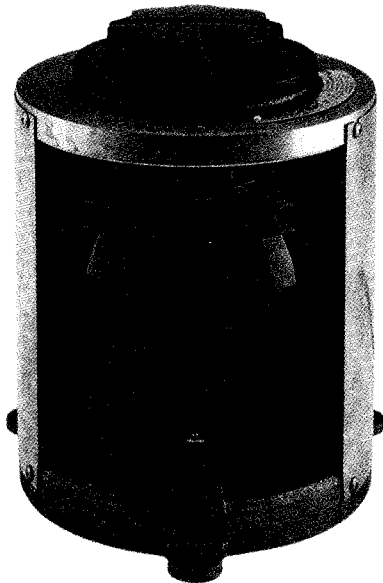


Fig. 1172



Height Overall Inches	Height Lens Inches	Weight Pounds	Mounting Bolt Size Inches
9-1/4	6-3/4	11-1/8	3/8

ORDERING INFORMATION

Description	Arc	Visibility Miles	Visibility Cat. No.
Red Side Light	112-1/2°	3	1172 REO PLB
Green Side Light	112-1/2°	3	1172 GEO PLB
White Masthead Light	225°	6	1173 E00 PLB
White Stern Light*	135°	3	1174 E00 PLB
Yellow Towing Light	135°	3	1174 ME0 PLB
White All-Round Light*	360°	3	1169 E00 PLB
White All-Round Light**	360°	6	1169 HE0 PLB
Red All-Round Light	360°	3	1170 RE0 PLB
Green All-Round Light	360°	3	1170 GE0 PLB
Yellow All-Round Light	360°	3	1170 ME0 PLB

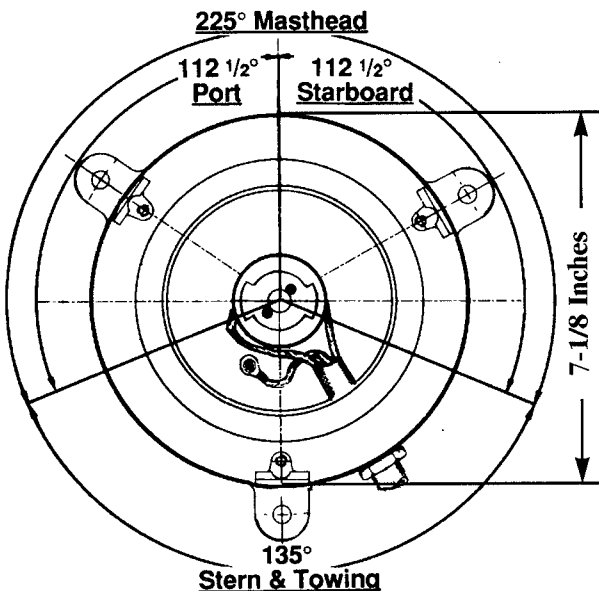
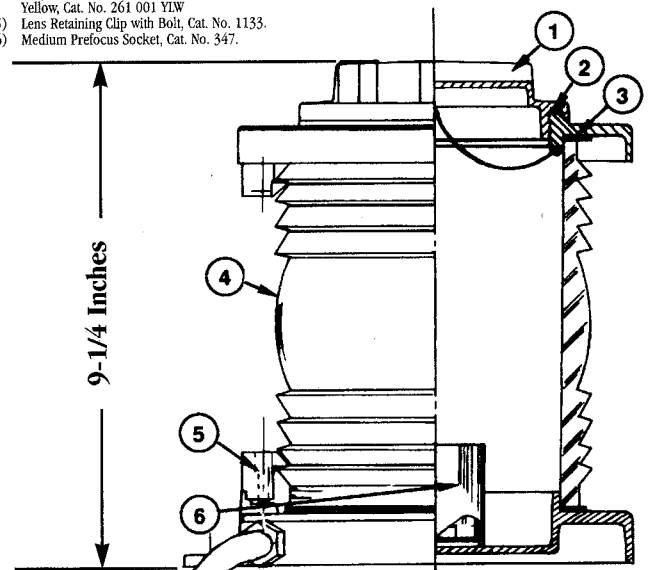
Special lights to meet local requirements are available upon request.

*These lights are supplied with a Gray Tinted Lens.

**For Great Lakes use.

SPARE PARTS ORDERING INFORMATION

- 1) Access Cap, O-Ring and Retainer, Cat. No. 1105 000 BLK.
- 2) O-Ring for Cap, Cat. No. 1119.
- 3) Lens Gasket, Cat. No. 1143.
- 4) Spare Lenses:
Red, Cat. No. 261 001 RED
Green, Cat. No. 261 001 GRN
White, Cat. No. 261 001 CLR
Gray, Cat. No. 261 001 GRY
Yellow, Cat. No. 261 001 YLW
- 5) Lens Retaining Clip with Bolt, Cat. No. 1133.
- 6) Medium Prefocus Socket, Cat. No. 347.



3 - Mounting Holes, for 3/8 inch bolts, Spaced 120° apart, on a 8-1/8 inch Diameter Circle