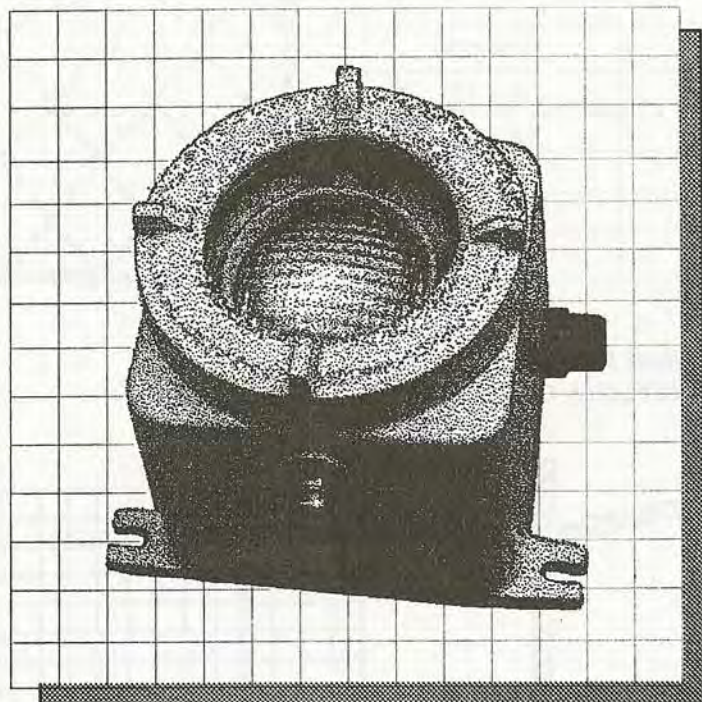


*Roflan***LIFEBEAM<sub>®</sub>****Type 1616****EXPLOSION PROOF EMERGENCY LIGHT****Especially Designed For:**

- Refineries
- Chemical Factories
- Oil Drilling Rigs
- Off-Shore Drilling



- Built-in Battery Charger
- Non-Magnetic Aluminum Case
- Battery Never Needs Water
- Battery Test Switch
- Automatic Battery Shut-off
- Current Flow Pilot Light
- High Charge Pilot Light
- Corrosion and Rust Resistant
- Waterproof
- UL Listed
- 115 Volt AC

*Automatically Lights  
When Electricity Fails*

**Listed**

Conforms to Underwriters Laboratories Standards for Explosion-Proof Emergency Lighting. UL 1203 and UL Emergency Lighting Standard 924. Class I, Group D, and Class II, Groups F & G, for Hazardous Locations.