

LIFTEX NYLON STONE-HANDLING SLINGS

Liftext Stone-Handling Slings are made of Nylon webbing with abrasion-resistant surface yarns woven into one side. This webbing is designed for lifting stone, concrete and other abrasive materials. They are available in 4" width only with webbing left untreated for softness and to prevent color rub-off.

Specifications

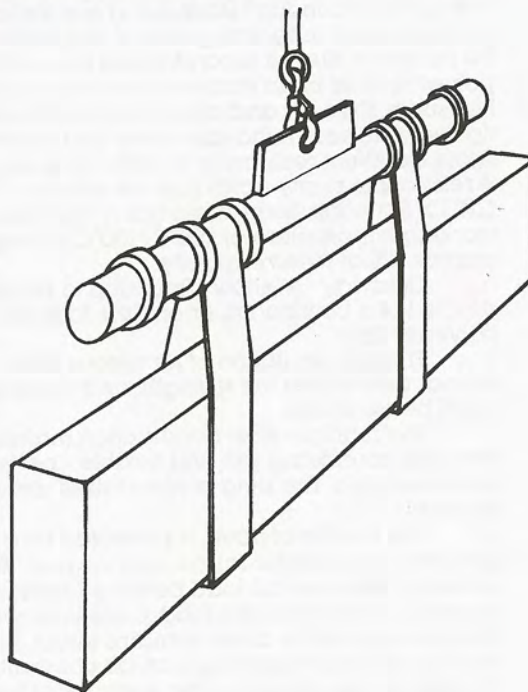
Sling Type	Part No.	Eye Width & Length	Rated Capacities in Lbs.		
			Vertical	Choker	Basket
I	CHS1-209	Steel	5,000	4,000	10,000
I	CHS2-209	Steel	9,000	7,200	18,000
II	BHS1-209	Steel	5,000	—	10,000
II	BHS2-209	Steel	9,000	—	18,000
III/IV**	EE1-209	2"x12"	5,000	4,000	10,000
III/IV**	EE2-209	2"x12"	9,000	7,200	18,000
V	EN1-209	—	8,000	6,400	16,000
V***	EN2-209	—	8,000	6,400	16,000

⚠ WARNING *DO NOT EXCEED RATED CAPACITY*

*Do Not Exceed Rated Capacity.

**Available with Flat Eyes (Type III) or Half Twist Eyes (Type IV). For Half Twist, specify HT in part number (i.e. EE1-209/HT).

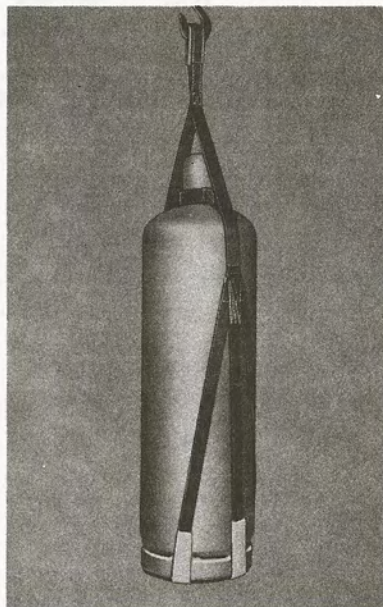
***2-Ply Endless (EN2-209) has no lap splice. Ends are butted for smooth surface. Both sides of sling are faced with abrasion-resistant yarn.



SPECIAL SLINGS

If you have an unusual application which requires a sling other than those shown in the catalog, give us your requirements and we will design a special sling for you, or build a sling to your specific design specifications.

These Gas Cylinder Slings are a typical example of the many LIFTEX special purpose slings available.



Part No. CG-10A
Single Gas Cylinder Sling
1000 lb. capacity



Part No. BBL-80*
Barrel Handling Sling
1000 lb. capacity

*Another special purpose sling, designed to handle metal drums in an upright position. Easily tilted to empty drum with either open top or spigot.