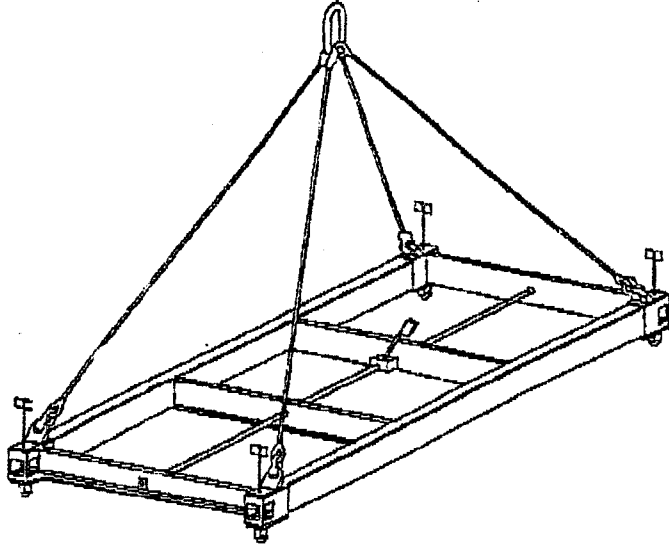


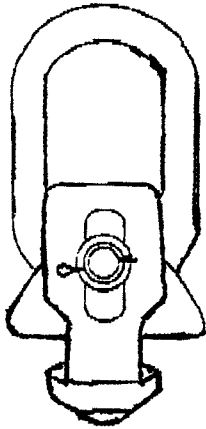
MISC. CONTAINER HANDLING EQUIPMENT

65 ML SBI
Bin 1075x1075x780



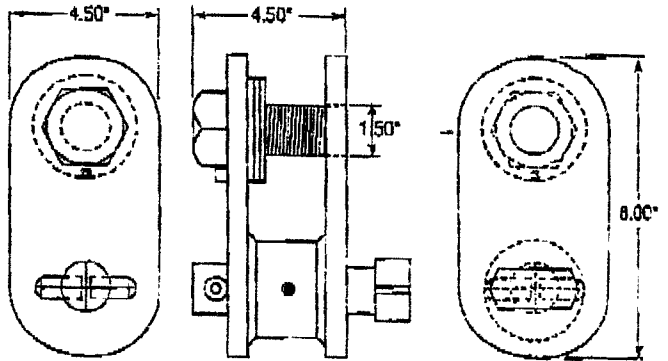
| Material | Item Code | Treatment | Weight (kg) |
|------------|-----------------|--------------------|-------------|
| Mild Steel | BIN-1000.000.55 | Hot Dip Galvanized | -90.0 |

Top Lift Lug Assembly (Vertical Lift)



Max. Working Load Limit: 25,000 lbs. per lug

Bottom Lifting Lug



Max. Working Load Limit: 33,600 lbs. per lug
Weight: 18.2 lbs. each