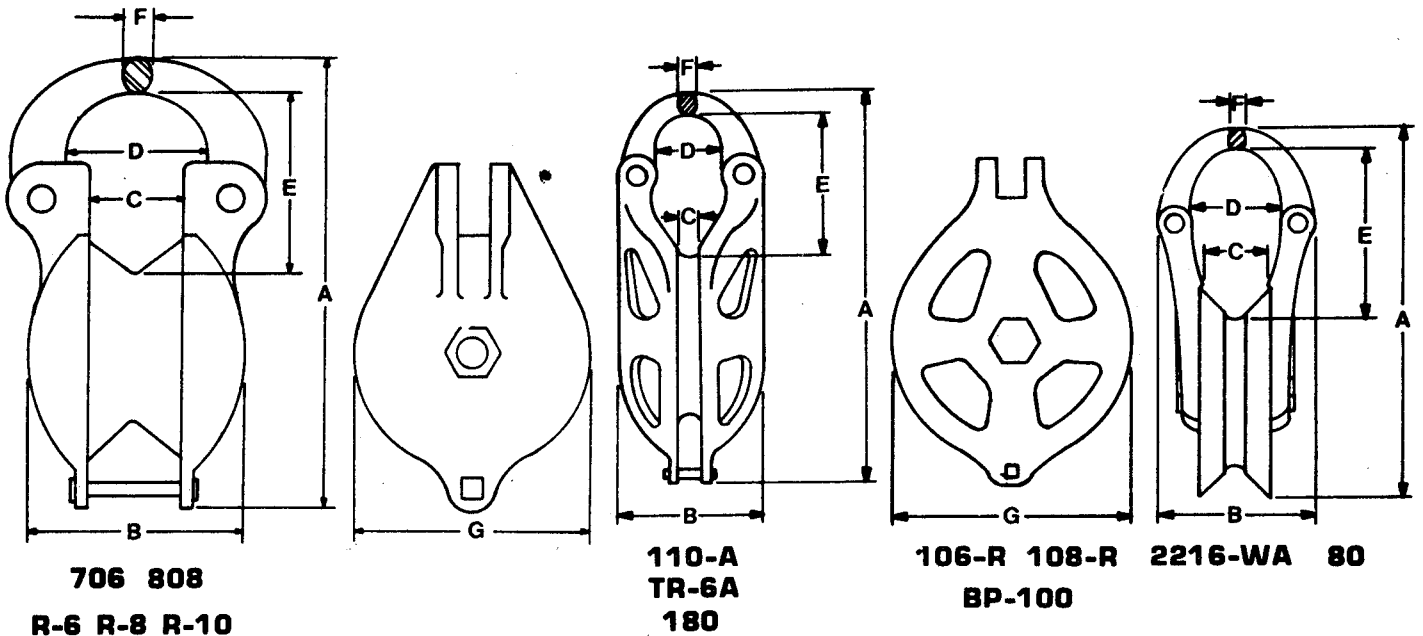


WIDE SHEAVE - WIDE THROAT BLOCKS:

3 Ton to 26 Ton Capacity



DIMENSIONS

Block No.	A	B	C	D	E	F	G
110A	10"	3 $\frac{3}{4}$ "	1"	2 $\frac{1}{2}$ "	5 $\frac{1}{4}$ "	1"	4 $\frac{3}{4}$ "
TR6A	13"	6"	1"	3"	5 $\frac{1}{4}$ "	1"	7"
106R	14"	5 $\frac{1}{2}$ "	1 $\frac{1}{2}$ "	2 $\frac{1}{2}$ "	6"	1"	6 $\frac{3}{4}$ "
108R	16"	5 $\frac{3}{4}$ "	1 $\frac{1}{2}$ "	2 $\frac{1}{2}$ "	6"	1"	8 $\frac{7}{8}$ "
BP-100	19"	6 $\frac{1}{4}$ "	2 $\frac{1}{4}$ "	3 $\frac{1}{2}$ "	5"	1 $\frac{1}{8}$ "	10 $\frac{5}{8}$ "
R-6	14 $\frac{1}{2}$ "	8"	2 $\frac{1}{2}$ "	4 $\frac{1}{2}$ "	6 $\frac{1}{2}$ "	1 $\frac{1}{4}$ "	6 $\frac{3}{4}$ "
R-8	17"	8 $\frac{1}{2}$ "	2 $\frac{1}{2}$ "	4 $\frac{3}{4}$ "	7 $\frac{1}{4}$ "	1 $\frac{3}{8}$ "	8 $\frac{3}{4}$ "
R-10	19"	8"	3 $\frac{1}{2}$ "	4 $\frac{3}{4}$ "	7 $\frac{1}{2}$ "	1 $\frac{3}{8}$ "	10 $\frac{1}{2}$ "
706	12"	6 $\frac{1}{2}$ "	2 $\frac{5}{8}$ "	2 $\frac{5}{8}$ "	3 $\frac{3}{4}$ "	1 $\frac{1}{4}$ "	6 $\frac{3}{4}$ "
808	17"	6 $\frac{1}{2}$ "	2 $\frac{5}{8}$ "	2 $\frac{5}{8}$ "	3 $\frac{3}{4}$ "	1 $\frac{3}{8}$ "	8 $\frac{3}{4}$ "
180	38"	11 $\frac{1}{4}$ "	3 $\frac{1}{2}$ "	5 $\frac{3}{4}$ "	8"	2"	20"
80	20"	10 $\frac{1}{2}$ "	3 $\frac{1}{2}$ "	4 $\frac{1}{2}$ "	10 $\frac{1}{2}$ "	2"	10"
2216WA	30 $\frac{1}{2}$ "	13 $\frac{5}{8}$ "	6 $\frac{3}{4}$ "	9 $\frac{1}{2}$ "	15"	2 $\frac{3}{8}$ "	16 $\frac{1}{2}$ "

Dimensions shown are for regular yoke blocks. Dimensions for blocks with swivel hook or swivel shackle attachments, where applicable, available on request.