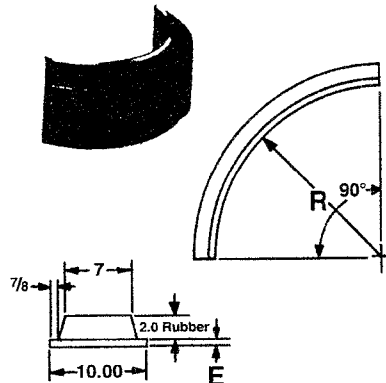
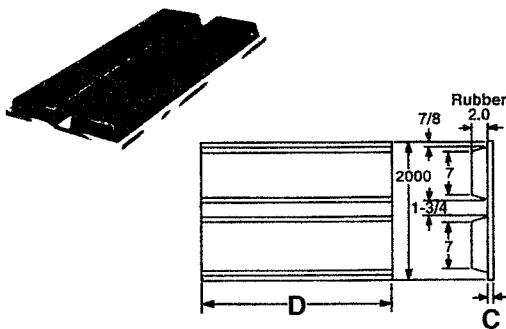
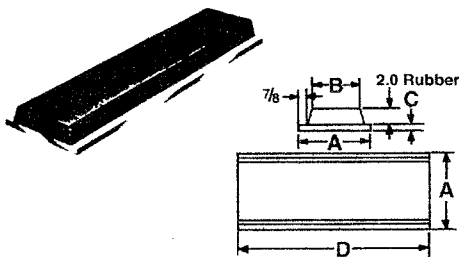


MODULAR BUMPERS HEAVY-DUTY



Part No. Units	Inches				Wt. Lbs.
	A	B	C*	D	
E42000	10	7	3/4	36	100
E43000	10	7	3/4	48	133
E42010	10	7	1/2	36	77
E43010	10	7	1/2	48	103
E42004	10	7	1/4	36	50
E43004	10	7	1/4	48	67
E42005	13-1/2	10-1/4	3/4	36	138
E42041	13-1/2	10-1/4	1/2	36	110
E42042	13-1/2	10-1/4	1/4	36	75

*Steel is standard

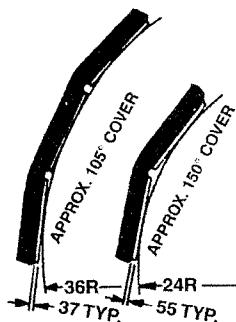
Part No. Units	Inches		Wt. Lbs.
	C*	D	
E42002	3/4	36	200
E43002	3/4	48	267
E42034	1/2	36	150
E43034	1/2	48	200
E42035	1/4	36	100
E43035	1/4	48	133

*Steel is standard

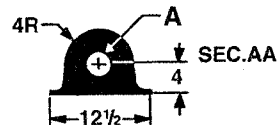
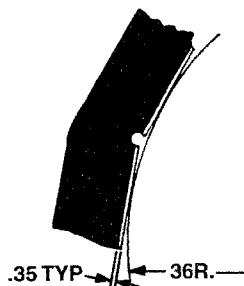
Part No. Units	Inches		Wt. Lbs.
	E*	R	
E42012	3/4	18	100
E42049	1/2	18-1/4	70
E42050	1/4	18-1/2	43

*Steel is standard

WELD-ON BUMPERS

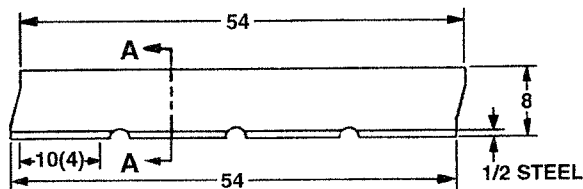
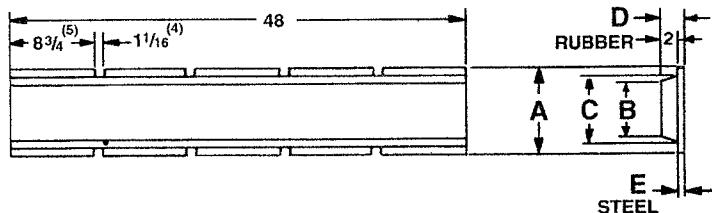


Part No. Units	Inches					Wt. Lbs.
	A	B	C	D	E	
E47950	6	3	4-1/4	2-1/4	1/4	34
E47951	6	3	4-1/4	2-1/2	1/2	54
E47952	6	3	4-1/4	2-3/4	3/4	73
E47960	8	5	6-1/4	2-1/4	1/4	50
E47961	8	5	6-1/4	2-1/2	1/2	75
E47962	8	5	6-1/4	2-3/4	3/4	99
E47970	10	7	8-1/4	2-1/4	1/4	65
E47971	10	7	8-1/4	2-1/2	1/2	96
E47972	10	7	8-1/4	2-3/4	3/4	127



Part No. Units	A Inches	Wt. Lbs.
E44311	2	168
E44300	4	133

Values given on sketches do not allow for plate bending to radius



- Plates are formed to increase rigidity
- One section will cover approx. 75° on 36" radius

