

WHEEL & LEVER/GEAR CONTROL SOLAR RAY® SEARCHLIGHTS

885 SERIES

10", 12" OR 14"

SEARCHLIGHT DIMENSIONS

"A" Nominal Drum Diameter Inches	"C" Length Drum Inches	Nominal Weight Pounds
10	13	28
12	15	38
14	17	45



FIG. 885
MEDIUM PEDESTAL

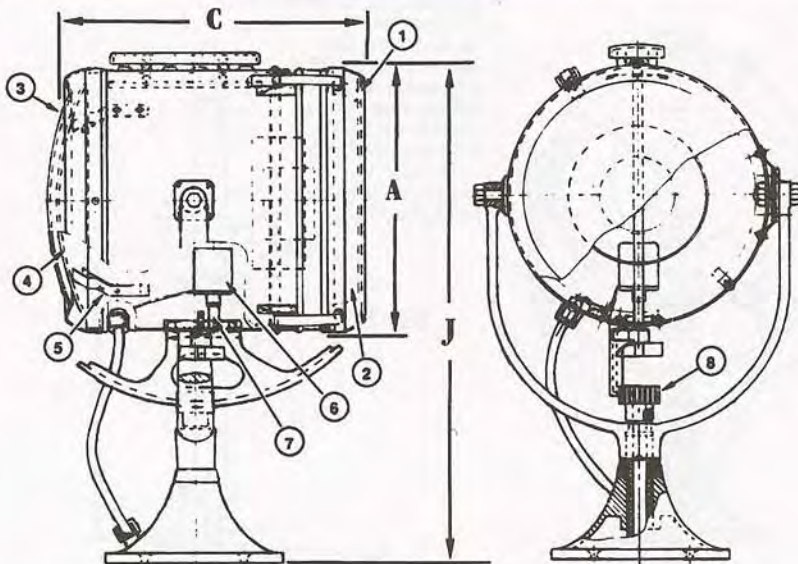


FIG. 885
HIGH PEDESTAL



FIG. 885
STANDARD PEDESTAL

* Note: The "J" Dimension is Height Overall.



SPARE PARTS ORDERING INFORMATION

- 1) Front Glass, Cat. No. 889 001 CLR.
- 2) Front Door with Glass, Cat. No. 891 001 CHR.
- 3) Rear Cover, Cat. No. 908 001 CHR.
- 4) Reflector, Cat. No. 890 001.
- 5) Reflector Retaining Clips, (Set of 8), Cat. No. 910.
- 6) Bulb Socket, See Page 26 for Details.
- 7) Socket and Support Stand, See Page 26 for Details.
- 8) Pinion Gear, Cat. No. 905.

Fig. 969

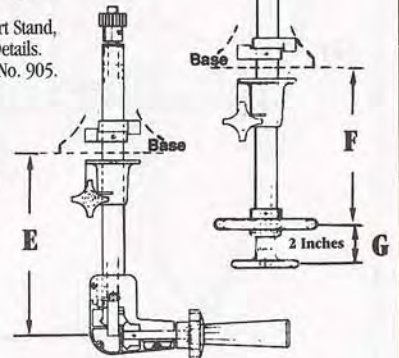


Fig. 852

Note: Illustration and Catalog Numbers are shown for a 10 Inch Chrome Searchlight.

For 12 Inch, Replace the "001" with "002" and for 14 Inch, Replace the "001" with "003". For White Finish Replace the "CHR" with "WHT"